

sterti **KONN**



4-POSTLIFT

The compact 4-Post Lifts



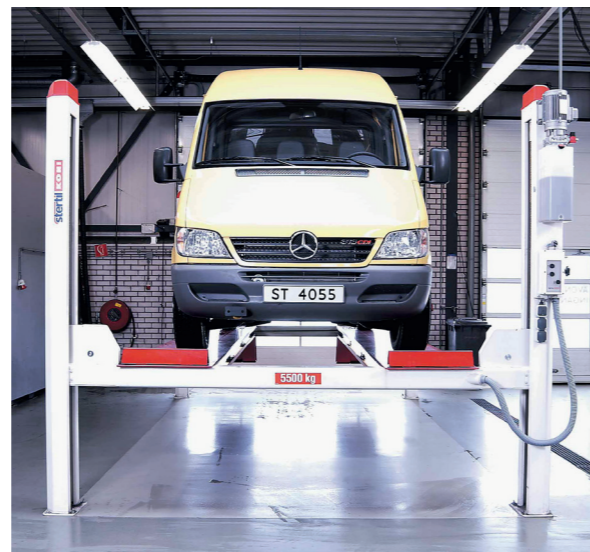
ST 4055 & ST 4070

SUPERIOR SOLUTIONS FOR HEAVY DUTY VEHICLE LIFTING



NO. 1 IN HEAVY DUTY VEHICLE LIFTING

Stertil-Koni provides a complete range of heavy duty vehicle lifts and lifting equipment for customers all over the world. All Stertil-Koni vehicle lifts are designed and manufactured in-house by a team of specialists with expertise in the heavy duty vehicle lifting industry. Stertil-Koni is represented across the globe by local sales organizations, exclusive Stertil-Koni distributors, and a network of qualified Stertil-Koni Service partners. This makes Stertil-Koni the Number 1 in heavy duty vehicle lifting around the world.



Flexible

The Stertil-Koni ST 4055 and ST 4070 are suitable for wide vehicles and are easy to operate. The ST 4055 and ST 4070, with lifting capacities of 5,500 kg and 7,000 kg respectively, are no exception. Stertil-Koni has developed these vehicle lifts especially for vans, including those with long wheel bases and for light commercial vehicles.



Convenience and low drive-on height

An extremely low drive-on height of only 160 mm guarantees that vehicles with low ground-clearance can be driven onto the platforms without grounding. Due to the low drive-on height short drive-on ramps can be used, leading to better utilisation of space and improved manoeuvrability in the workshop.

MAXIMUM SAFETY & STABLE RELIABILITY

Maximum safety

The ST 4055 & ST 4070 offer the following safety features:

- Electronic synchronisation system that continuously monitors the position of all cylinders creating safe, smooth and level lifting and lowering cycles.
- Robust & reliable Stertil-Koni hydraulics with pressure relief and hose burst values.
- Independent, gravity-operated locking mechanism to prevent unexpected lowering.

Maximum accessibility

The ST 4055 & ST 4070 offer a maximum working height of more than 2 metres for optimal access under the raised vehicles. The rate of descent can be manually-controlled, making it convenient for working with axle stands and transmission jacks.

Practical, stable and reliable

Stertil-Koni are technological leaders in hydraulic heavy-duty vehicle lifting systems. This experience is incorporated into the ST 4055 and ST 4070 lifts. The fewer moving parts the better, as this reduces the risk of defects and thus reduces the risk of costly maintenance. All Stertil-Koni lifts are tested beyond the norm of 50,000 lifting cycles. These Stertil-Koni 4-Post Lifts are level in all positions making them ideal for wheel-alignment and other precision maintenance jobs.

ST 4055 and ST 4070 both have 630 mm wide platforms making them ideal for access to light commercial vans and vehicles with twin wheels. The adjustable platforms allow for freedom of movement under the vehicles.



Technical specifications

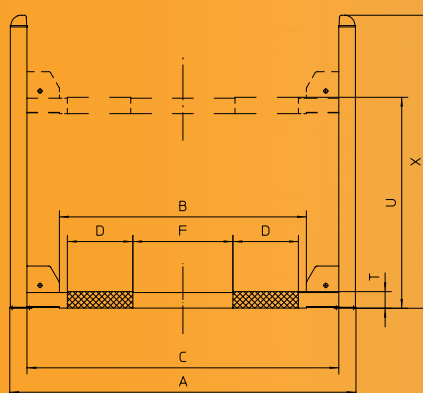
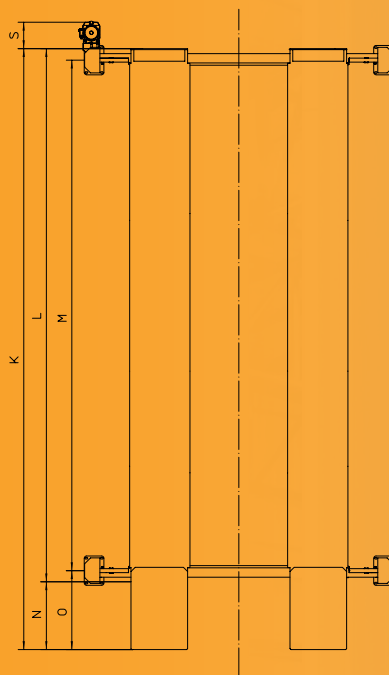
- Lifting capacity: 5,500 kg - 7,000 kg
- Lifting system: Hydraulic
- Lifting height: 2 metre
- Lifting time: 215/150 seconds
- Drive-on Height: 160 mm
- Motor: 5.5 kW
- Control Voltage: 24 V DC

Highest safety features

- ANSI/ALI-ALCTV certified (USA)
- CSA certified (Canada)
- CE certified (Europe)
- Low-voltage control box
- Automatic protection against overloading
- Independent mechanical locking system
- Microprocessor-controlled synchronisation system
- Automatic stop when highest position is reached
- Dead-man's operation
- Splash-proof electrical system (IP65)

Accessories & Options

- Air-Hydraulic Jacking Beams for wheels, brake and suspension maintenance
- Short approach ramps (recessed installation)
- Custom-made platform widths and lengths
- Third platform for lifting 3-wheeled vehicles
- Custom RAL colors available



Technical Information

Model	A	B	C	D	F-max	K	L	M	N	O	S	T	U	X
ST4055	3330	2375	3000	630	1100	5880	5150	4900	730	840	300	160	2030	2820
ST4055-L	3330	2375	3000	630	1100	6480	5750	5500	730	840	300	160	2030	2820
ST4055-V	3630	2675	3300	630	1250	5880	5150	4900	730	840	300	160	2030	2820
ST4055-LV	3630	2675	3300	630	1250	6480	5750	5500	730	840	300	160	2030	2820
ST4070	3330	2375	3000	630	1100	6480	5750	5500	730	840	300	160	2030	2820
ST4070-L	3330	2375	3000	630	1100	6980	6250	6000	730	840	300	160	2030	2820
ST4070-V	3630	2675	3300	630	1250	6480	5750	5500	730	840	300	160	2030	2820
ST4070-LV	3630	2675	3300	630	1250	6980	6250	6000	730	840	300	160	2030	2820
ST4070-S	3330	2375	3000	630	1100	5880	5150	4900	730	840	300	160	2030	2820
ST4070-SV	3630	2675	3300	630	1250	5880	5150	4900	730	840	300	160	2030	2820

More information

For more specific information about the Stertil-Koni ST 4055 and ST 4070 or one of the other products from Stertil-Koni, please contact us for further assistance.



Stertil UK Ltd
Unit A,
Brackmills Business Park
Caswell Road
Northampton
NN4 7PW
United Kingdom
Tel: +44(0)1604 662049
Email: lifts@stertil.co.uk
www.stertil-koni.co.uk

